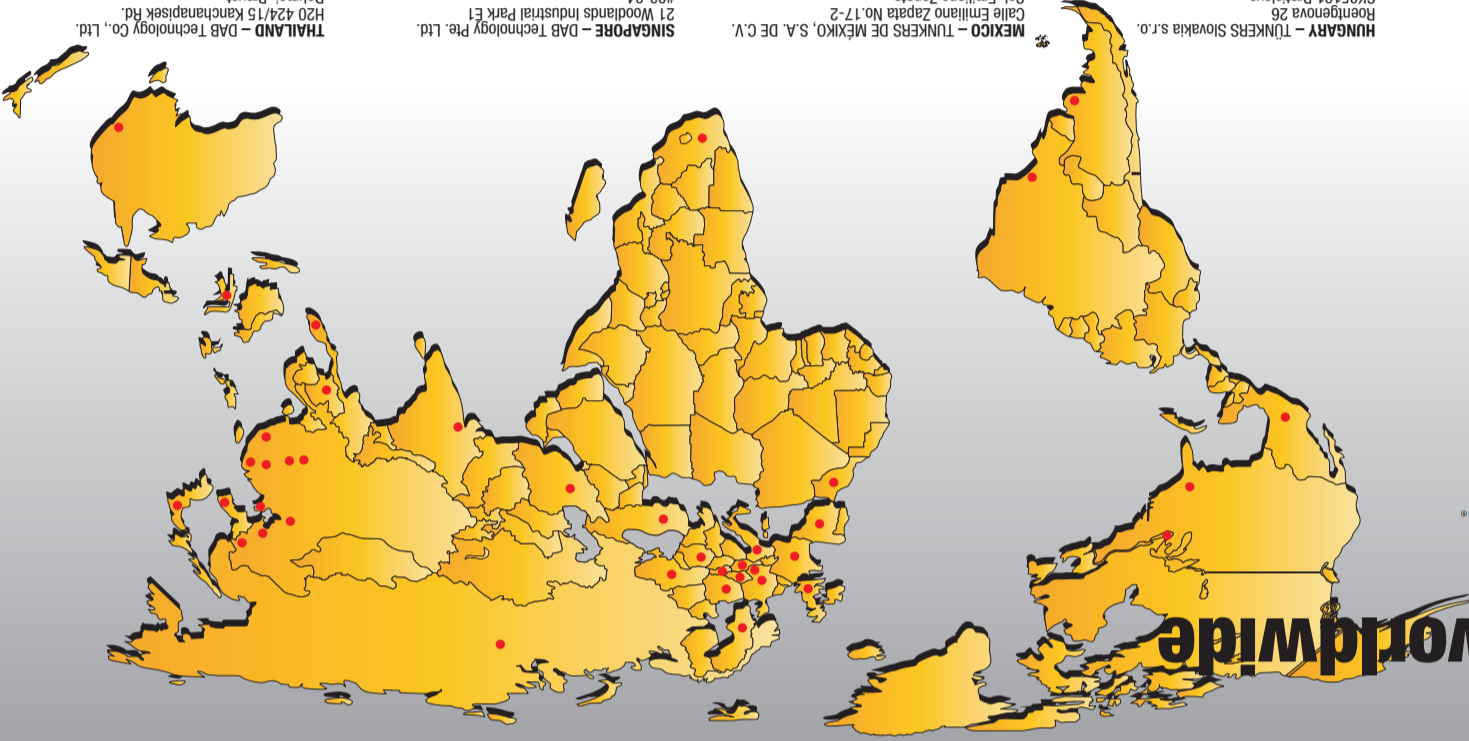


WELDING

At your service - worldwide



Ingenity in series.

TÜNKERS Maschinenbau GmbH

Am Rosenkothlen 4-12

64653 Lorsch

Tel.: +49 2102 4517-0

Germany

info@tuenkers.de

www.tuenkers.de



Schweißtechnik

HELU GmbH

Seehofstraße 56-58

64653 Lorsch

Germany

Tel.: +49 6251 592-280

info@helu.de



Indexing & Positioning

EXPERT-TÜNKERS GmbH

Seehofstraße 56-58

64653 Lorsch

Germany

Tel.: +49 6251 592-0

info@expert-tuenkers.de

www.expert-tuenkers.de



Automation.

SOPAP Automation SAS

P. A. Ardennes Emeraude

Rue Henri Faure

BP 11 09, 08090 TOURNES

France

Tel.: +33 3 24 52 94 64

sopap@sopap.com

ARGENTINA – TÜNKERS DE ARGENTINA S.A.
Veloz Sarzífield 1516 – Quilmes (1879)
Provincia de Buenos Aires
Smithfield N.S.W 2164
Tel.: +61 2 749 72870-0
info@tuenkers.com.ar

AUSTRALIA – Romheld Australia Pty. Ltd.
30/15 Woodlands Rd
Tel.: +61 8 927 8270-0
info@tuenkers.com.au

AUSTRIA – B-S-D Spantechnik GmbH
Sportplatzstrasse 31
3385 Markersdorf
D-07426 Könnigsee
Tel.: +49 36738 42432
dieter.rausch@tuenkers.com

BALEARES – Vertrebsbüro Ost
Markt 11
D-07426 Könnigsee
Tel.: +49 36738 42432
info@balears-tuenkers.com

CZECH REPUBLIC – Kopra s. r. o.
Vázná 891 / Rašal PŠN I
CZ-500 03 Hradec Králové
Tel.: +420 495 53 1210
kopra@kopra.cz

DENMARK – Berga Maskin
64693 Gnesta
Tel.: +46 158 31112
info@bergamaskin.se

FINLAND – Berga Maskin
Rue Henri Faure
BP 11 09, 08090 TOURNES
Tel.: +33 3 24 52 94 64
sopap@sopap.com

BRASIL – Tünkers do Brasil Ltda.
Avenida Casa Grande, 850 – Galpão 6, 11 e 13
09961-350 – Diadema – São Paulo
Tel.: +55 11 4056-3100
comercial@tuenkers.com.br

CANADA – TÜNKERS-Mastech
38200 Mound Road
Sterling Heights, MI 48312
Tel.: +1 734 744 5990
christian.heyer@tuenkers.com

ID.-Nr. 428014 · 8/2017

CHINA – TÜNKERS China
Tuenkers Machinery & Automation
Technology Co., Ltd. Shanghai
Building 4, No. 768 Chenxiang Road,
Jiading District, Shanghai P.R.
China, 201802
Tel.: +86 21 39171070
info@tuenkers.com.cn

Other Offices: Changchun, Nanjing,
Wuhan, Guangzhou, Yantai, Shenyang

Market 11
D-07426 Könnigsee
Tel.: +49 36738 42432

INDONESIA – DAB Technology Pte. Ltd.
21 Woodlands Industrial Park Et., #03-04
Singapore 757720
Tel.: +65 6891 3286
Singapore 757720
sales@dabtechn.net

ITALY – TÜNKERS Italia
Strada TORINO, 43 EUROPLACE sub. 06
10043 ORBASSANO-TORINO
Tel.: +39 011 6471556
s.tosco@tuenkers.it

JAPAN – TÜNKERS Japan Ltd.
Daimyo Create Bldg. 6F
No. 9-28 Jalan Bandar 10, Pusat Bandar Puchong
47100 Selangor
Tel.: +61 80 83544786
tomoo.kaku@tuenkers.de

MALAYSIA – DAB Technology Sdn.Bhd.
Office 315, Sibirskij Proezd 2-27
Moscow 109316
Tel.: +7 495 775 - 0377
trian.moga@tuenkers.sk

MOROCCO – SOPAP Automation SAS
Rue Henri Faure
F-BP 11 09, 08090 TOURNES
Tel.: +33 3 24 52 94 64
michel.landre@tuenkers.de

MEXICO – TÜNKERS DE MÉXICO, S.A. DE C.V.
Calle Emiliano Zapata No.17-2
72810 San Andrés Cholula Puebla
Tel.: +52 222 393 5547
christian.volkman@tuenkers.mx

NETHERLANDS – TÜNKERS Maschinenbau GmbH
Am Rosenkothlen 4-12
D-40880 Rättingen
Tel.: +49 2102 4517-0
peter.czajkowski@tuenkers.de

POLAND – TÜNKERS Slovakia s.r.o.
Hoentgenova 26
SK85101 Bratislava
Tel.: +48 660 055 225
jari@rampassek@tuenkers.sk

SLOVENIA – TÜNKERS Maschinenbau GmbH
P.O. Box 15237
55068 Sibin, Romania
Tel.: +40-752 184 548
trian.moga@tuenkers.sk

SOUTH AFRICA – Demcon (Cape) cc
2A-60110 Emerald Hill/Port Elizabeth
Tel.: +27 41 4847411
demcon@demcon.co.za

RUSSIA – WEST-RU
Novikova-Priboya Str. 4 office 407
603058 Nizhny Novgorod
Tel.: +7 831 253 01 65
Office 315, Sibirskij Proezd 2-27

RUSSIA – Cont Group
Moscow 109316
Tel.: +7 495 775 - 0377
j.scho@chol.com

SPAIN – TÜNKERS IBERICA, S.L.
c/ Encic Prat de la Riba, 14b
08830 Sant Boi de Llobregat (Barcelona)
Tel.: +34 93 3952827
tuenkers@tuenkersiberica.com

SWEDEN – BERGA MASKIN
SE-646 93 GNESTA
Tel.: +46 158 311 12
info@berga-maskin.se

THAILAND – DAB Technology Co., Ltd.
H20 424/15 Kanchanapisek Rd.
Dokmai, Praveh,
Bangkok 10250
Tel.: +66 97 072 8972
rodchaya.jaranyamont@tuenkers.de

TURKEY – Cava Makina
İnes Sanayi Sitesi E 503
34776 Ümraniye / İstanbul
Tel.: +90 216 3809280
alp.vanara@cava.com.tr

UK – TÜNKERS-EXPERT UK Ltd.
Unit 5, Ham Lane,
Kingswinford,
West Midlands,
DVE 7JR
Tel.: +44 (0) 1824 287690
neal.judge@tuenkers.de

USA – TÜNKERS-Mastech
38200 Mound Road
Sterling Heights, MI 48312
Tel.: +1 734 744 5990
christian.heyer@tuenkers.com

VIETNAM – DAB Technology Pte. Ltd.
21 Woodlands Industrial Park Et.
#03-04
Singapore 757720
enquiry@dabtech.net

VIETNAM – DAB Technology Pte. Ltd.
21 Woodlands Industrial Park Et.
#03-04
Singapore 757720
enquiry@dabtech.net

VIETNAM – DAB Technology Pte. Ltd.
21 Woodlands Industrial Park Et.
#03-04
Singapore 757720
enquiry@dabtech.net

VIETNAM – DAB Technology Pte. Ltd.
21 Woodlands Industrial Park Et.
#03-04
Singapore 757720
enquiry@dabtech.net

VIETNAM – DAB Technology Pte. Ltd.
21 Woodlands Industrial Park Et.
#03-04
Singapore 757720
enquiry@dabtech.net

VIETNAM – DAB Technology Pte. Ltd.
21 Woodlands Industrial Park Et.
#03-04
Singapore 757720
enquiry@dabtech.net

VIETNAM – DAB Technology Pte. Ltd.
21 Woodlands Industrial Park Et.
#03-04
Singapore 757720
enquiry@dabtech.net

VIETNAM – DAB Technology Pte. Ltd.
21 Woodlands Industrial Park Et.
#03-04
Singapore 757720
enquiry@dabtech.net

VIETNAM – DAB Technology Pte. Ltd.
21 Woodlands Industrial Park Et.
#03-04
Singapore 757720
enquiry@dabtech.net

VIETNAM – DAB Technology Pte. Ltd.
21 Woodlands Industrial Park Et.
#03-04
Singapore 757720
enquiry@dabtech.net

VIETNAM – DAB Technology Pte. Ltd.
21 Woodlands Industrial Park Et.
#03-04
Singapore 757720
enquiry@dabtech.net

VIETNAM – DAB Technology Pte. Ltd.
21 Woodlands Industrial Park Et.
#03-04
Singapore 757720
enquiry@dabtech.net

VIETNAM – DAB Technology Pte. Ltd.
21 Woodlands Industrial Park Et.
#03-04
Singapore 757720
enquiry@dabtech.net

VIETNAM – DAB Technology Pte. Ltd.
21 Woodlands Industrial Park Et.
#03-04
Singapore 757720
enquiry@dabtech.net

WELDING

Welding is the prevalent process used for joining elements in sheet metal processing. In this context, automotive car body construction is probably the greatest field of application.

Tight joining of interior and exterior panels or setting of joining elements, e. g. weld nuts are typical applications.

High precision and repeatability, durability and rapidity are also requirements to modern welding technology. The decisive factors for optimum

results are: correct current intensity, duration and optimum pressure during the welding procedure. Therefore a high-performance drive is crucial. To meet these requirements, Tünkers and HELU have developed a broad range of products. The welding technology portfolio of Tünkers and HELU ranges from welding clamps and manual welding guns to modular light-weight welding guns.

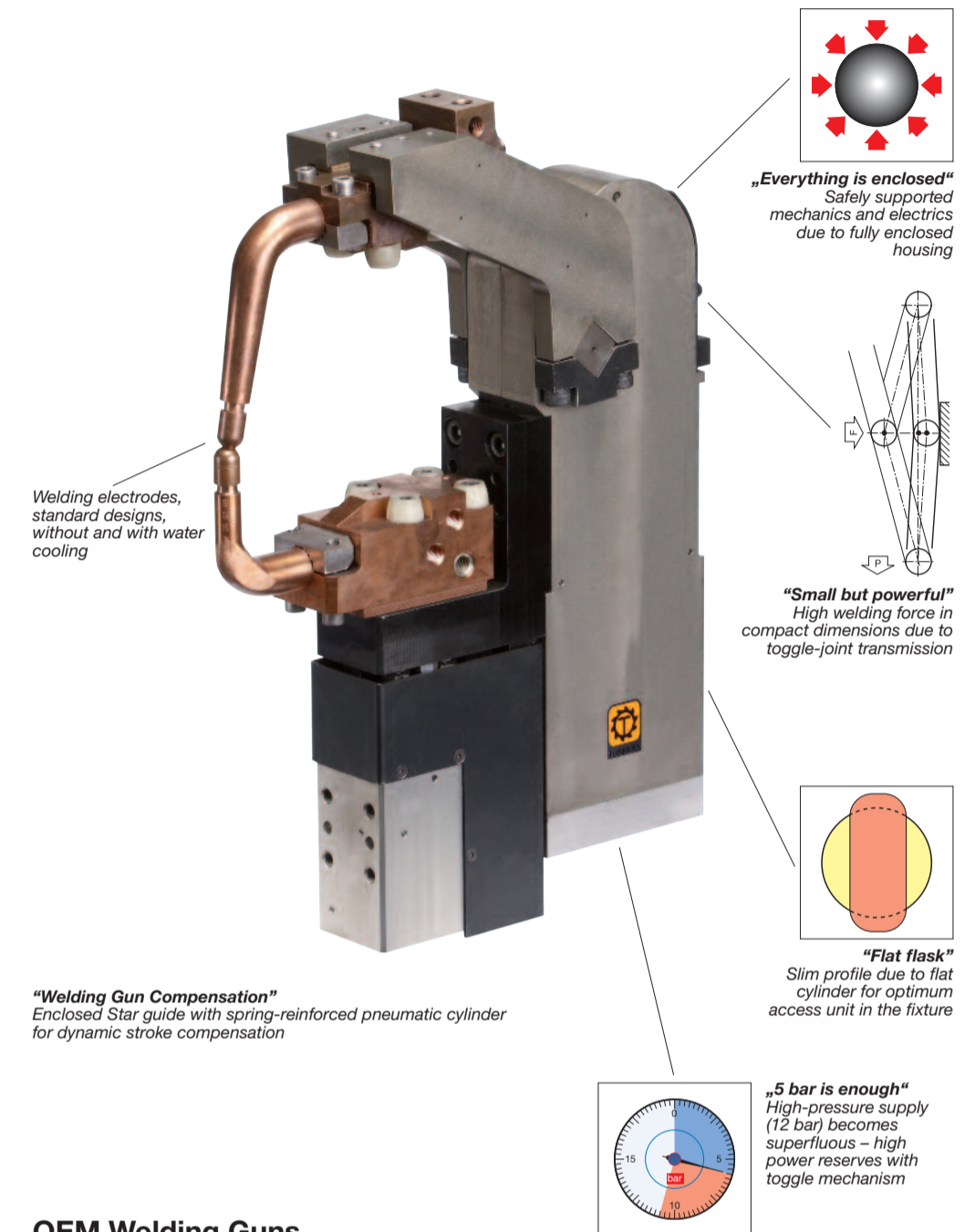
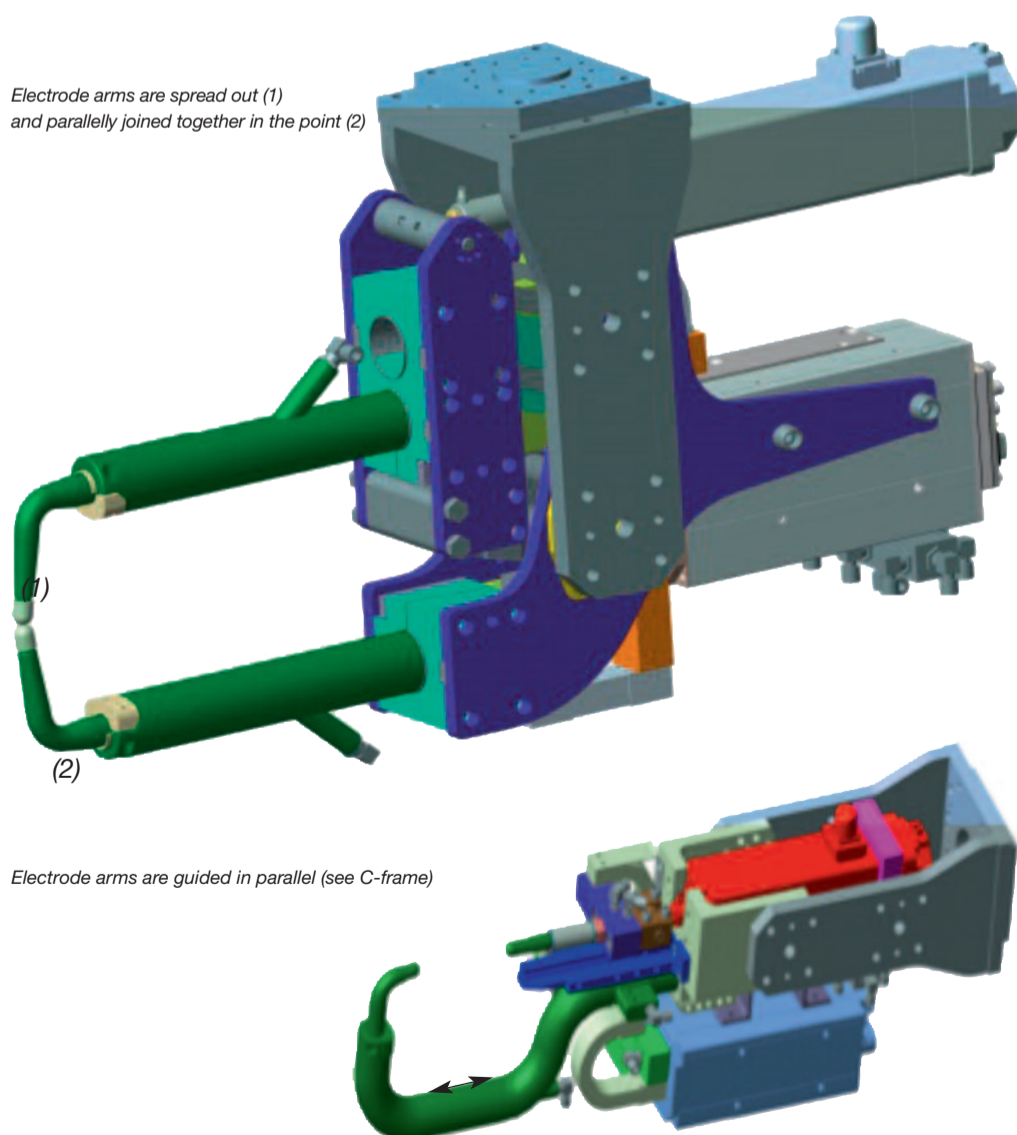
Welding Clamp

The welding clamp is the smallest element of the welding tools series. The core element of the welding clamp is an enclosed flat housing in mono-block design made of highly rigid aluminium. The electrode arm is moved by a flanged pneumatic cylinder by means of the toggle principle. Tünkers welding clamps are compact units, characterized by minimum mounting space and high welding force in the end position, where the full toggle-joint transmission acts.

Robotic Welding Guns

In automation technology mainly robotic welding guns are used, they are moved to the component by the robots to join the components there. Robotic welding guns are assembled in modules. One core element is the drive. For rapid welding processes with smooth touch down servo technology - servo-pneumatic or servo-electric - is used.

Various Types of Welding Guns



OEM Welding Guns

OEM welding guns form a special group of robotic welding guns. The individual modules of the guns are designed and manufactured in accordance with group standards. This leads to the highest possible standardization and high availability.

Manual Welding Guns

Manual welding guns are guided and positioned by an operator to the component. Even difficult-to-access welding points can be reached. The decisive factors of good handling are low weight and an optimally designed centre of gravity.

Welding Machines

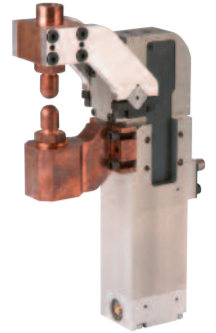
Welding machines are stationary installations. Components are manually or automatically fed to the machine. Cylinders move the pneumatically or electrically driven electrodes to the component. During the joining process, differences in material can be compensated by optimum adjusting function. C-frame welding machines - a special form - offer a sturdy and compact C-frame.

Applied welding procedures are spot welding and also resistance projection welding.

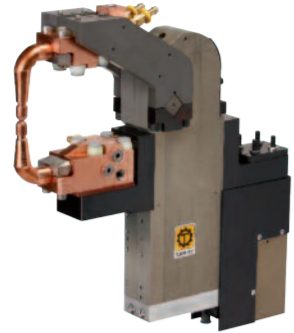
WELDING

Welding Clamp - Optimized and Integrated

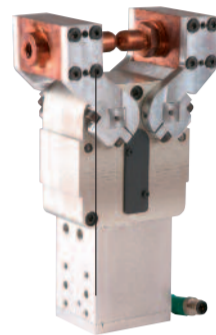
- Higher welding forces for the same cylinder size.
- Prolonged force curve to compensate melting loss and setting characteristics of the caps
- Robust front and rear clamp compensation with enclosed Star guide.
- Optionally with adapted welding transformer



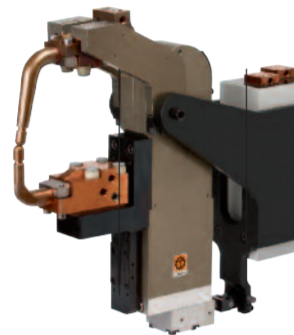
WSA 40



WS 63



WSA 40 AS

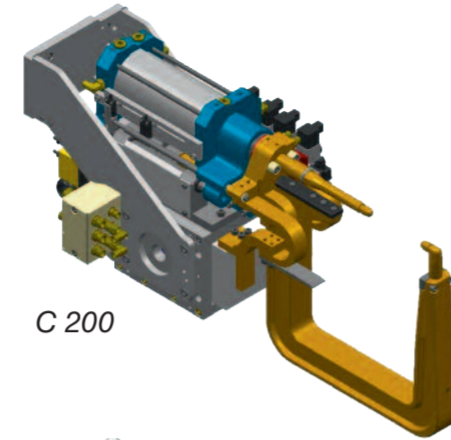


WS 80

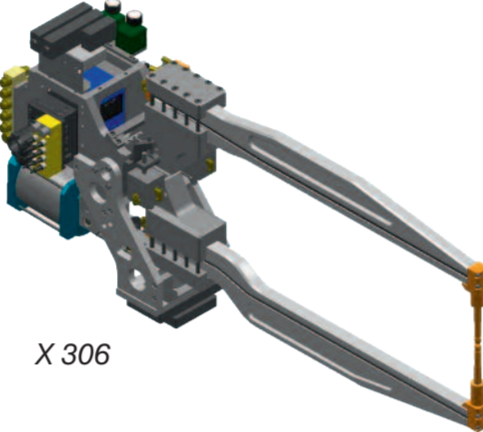
Type	Tightening torque at 5 bar	Welding force	for throat depth (mm)	Operating pressure (bar) with oil-free air	Connection (G)	Opening and closing time (sec.)	Weight (kg) without console
WSA 40	120 Nm	1,5 kN	50	5	1/8	ca. 1	3,98
WSA 40 AS	120 Nm	1,5 kN	50	5	1/8	ca. 1	4,42
WS 63	400 Nm	2,2 kN	150	5	1/4	ca. 1	16,2
WS 80	800 Nm	4,5 kN	200	5	1/4	ca. 1	90

Robotic Welding Guns

- Pneumatic or servo-electric
- AC or MF-DC transformers
- Al or Cu welding gun fittings
- Pneumatic welding gun compensation



C 200

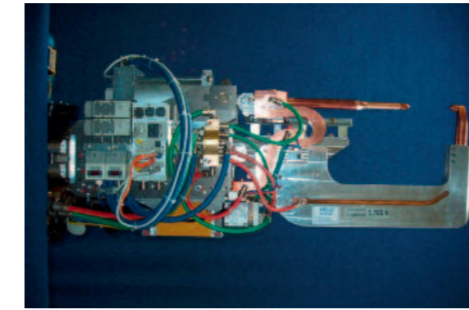


X 306

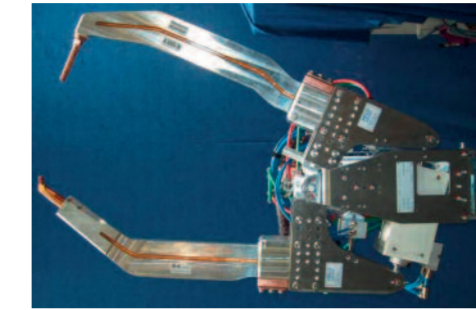
Type	Arm mounting Ø	Throat depth max.	Width max.	max. operating pressure	Working stroke max.
C 200	40 oder 50	650 mm	500 mm	10 bar	36 mm
X 306	40 oder 50	950 mm	-	10 bar	3°

OEM Standard Welding Guns

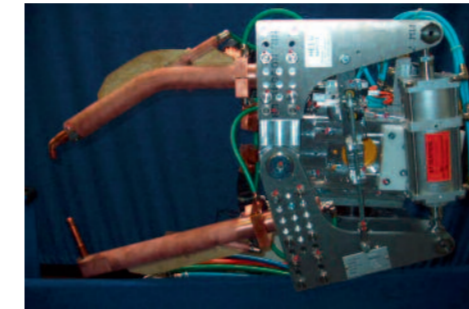
- Adapted to OEM Standard
- Type X or C
- ISO or medium-frequency transformer



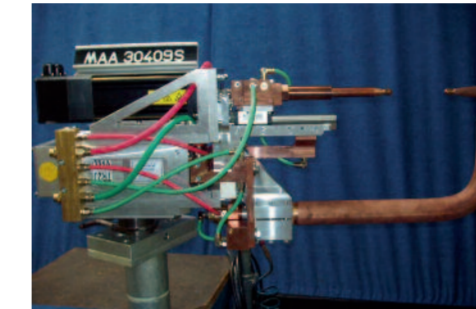
C 8000



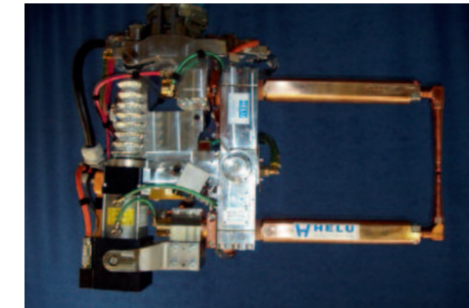
X 100



X50/550



Global W

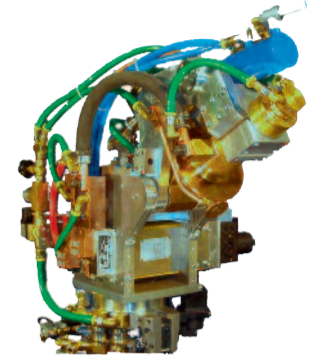


X 50

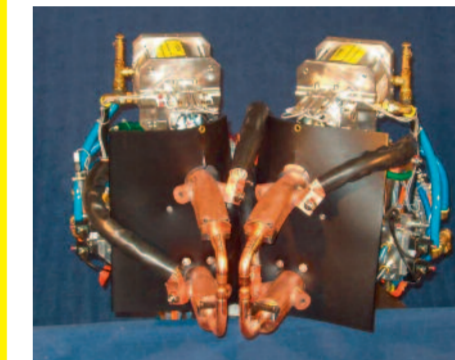
Special Welding Guns



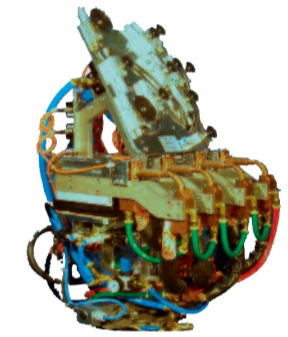
Tunnel welding gun GM-Opel



Roller seam welding gun (AEG)



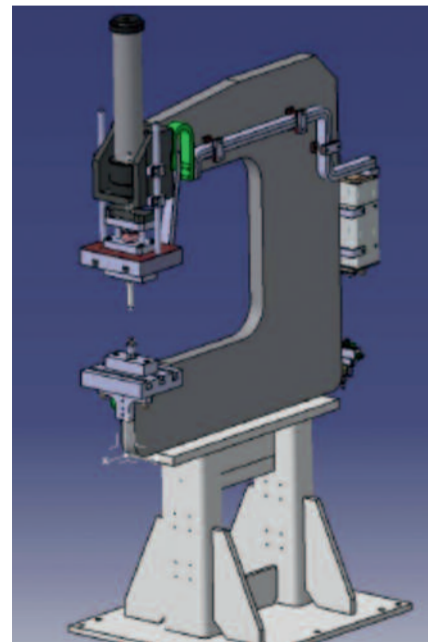
Dual welding gun - Benteler - Mini



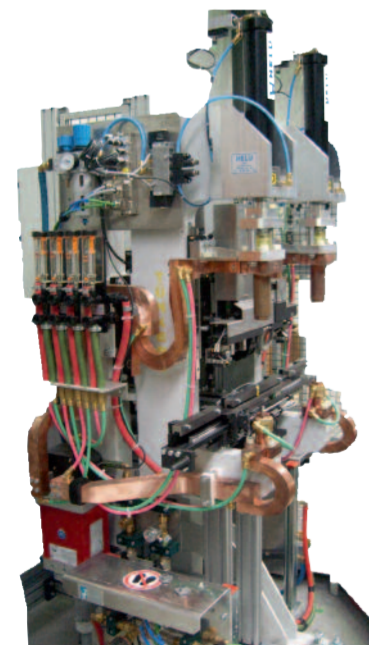
Special welding gun (AEG)

C-frame Welding Unit

- Compact design
- Available with AC or MF-DC transformers
- Manifold configuration options based on the Tünkers modular design system



Double C-frame Welding Unit

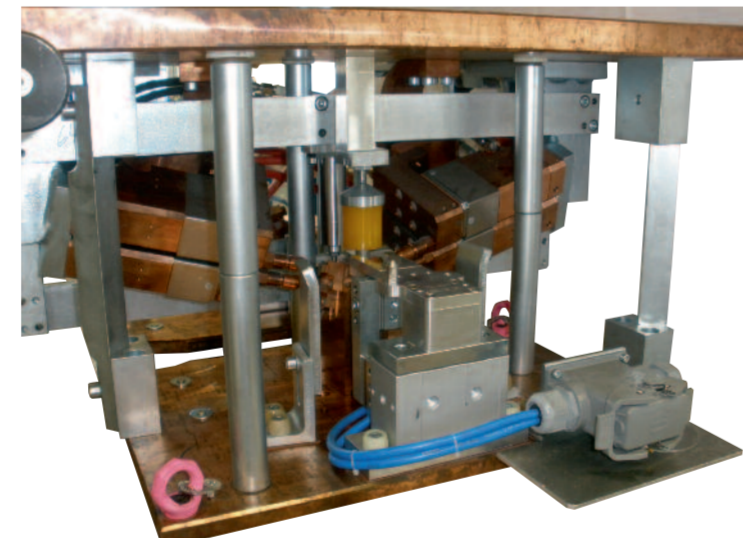


Double Welding Unit

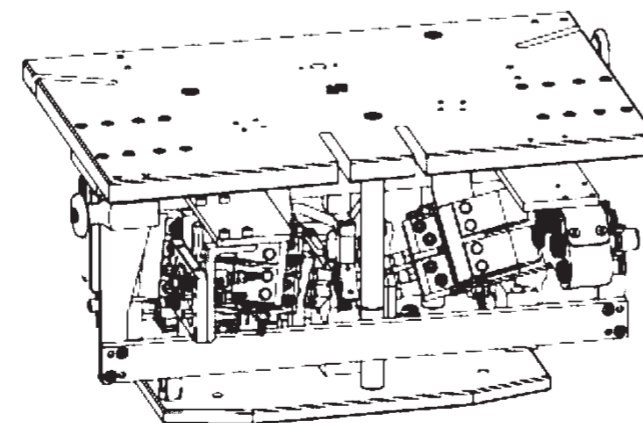
Type	Welding force	Cylinder stroke
C-frame Welding Unit	20 kN	200 mm

Special Welding Machines and Welding Tools

- Active press welding tools are used for stationary applications or rotary table applications of spot or projection welding.

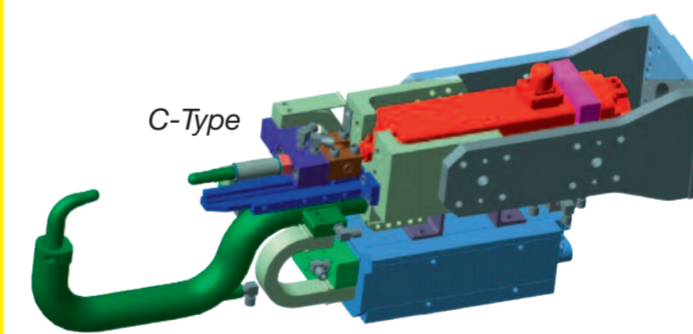


Active press welding tools

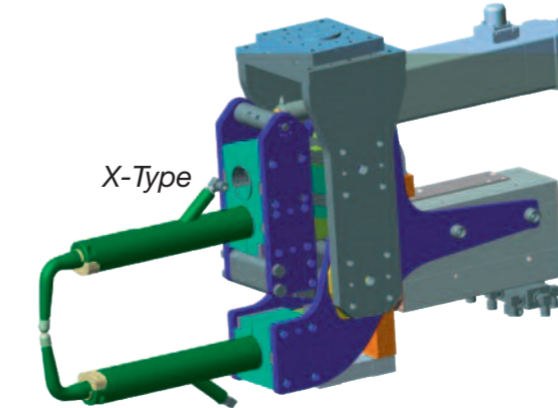


Modular Lightweight Welding Gun

- Pneumatic or servo-electric
- MF-DC transformers
- Al or Cu gun fittings
- Type C or X
- Robotic or manual welding gun



C-Type



X-Type

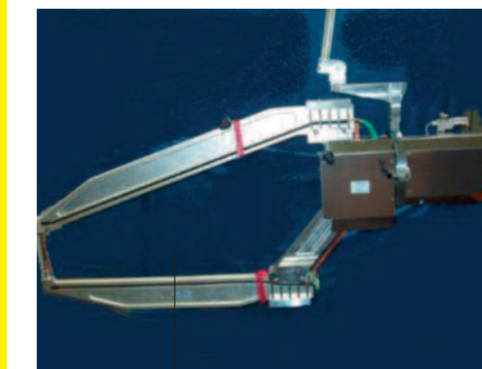
Type	F max	Arm mounting	Gauge	Servo	Transformer	Weight without fitting
C-Type	5000 N	D45	75	GSWA33-N05	MF100	ca. 50 kg
X-Type	5000 N	D50	100/100 100/160	GSWA33-N04	MF100	ca. 58 kg

Manual Welding Guns

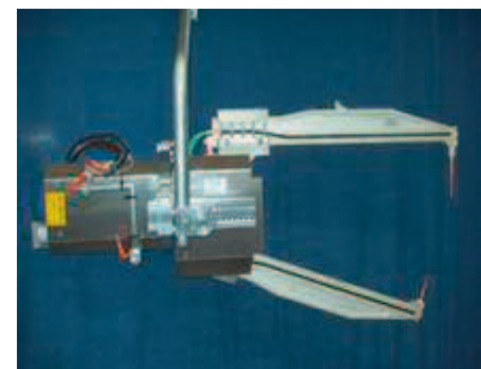
- Pneumatic
- AC or MF-DC transformers
- Al or Cu gun fittings
- Type C or X
- Option: HD (heavy duty) design



Standard transformer manual welding guns



HD Transformer manual welding guns



Type	Throat depth max.
C-Type	1500 mm
X-Type	1500 mm

